



KILOVAC K250 HIGH VOLTAGE DC CONTACTOR

- Versatile industry leading performance
- Smaller size and lighter weight
- Bi-directional high power switching

KILOVAC K250 High Power DC Contactor

Sets a New Industry Standard Performance for Current Carry and Isolation Voltage Relative to Package Size and Weight



TE Connectivity (TE)'s K250 high voltage DC contactor is hermetically sealed and designed for harsh environments. It is rated at 250 amps continuous, with an isolation voltage of 1000 Vdc, offering bi-directional power switching capability. Additional key features include an electronic coil economizer for low power holding capability, as well as auxiliary contacts in a smaller size, lighter weight package.

RUGGED

- Hermetically sealed
- Designed for harsh environments

SMALL SIZE/LIGHTWEIGHT

- Small and lightweight for its service ratings compared to other contactors on the market

VERSATILE

- Bi-directional power switching
- Auxiliary contacts

RELIABLE

- Continuous current carry 250 amps
- Isolation voltage 1000 Vdc

ENHANCED PERFORMANCE

- Electronic coil economization for increased low power holding capability

APPLICATIONS

- Power Distribution
- Alternative Energy
- Circuit Protection
- Energy and Battery Storage
- Motor Control Circuit Isolation

MARKETS

- Charging Systems
- Military and Commercial Ground Vehicle Power Systems
- Test Equipment

MATERIALS

- **Contact Arrangement:** Main Contacts SPST-NO (form X)
- **Auxiliary Contacts (.1A/6Vdc - 100 milliohm max):** SPDT
- **Weight, Nominal:** 180g

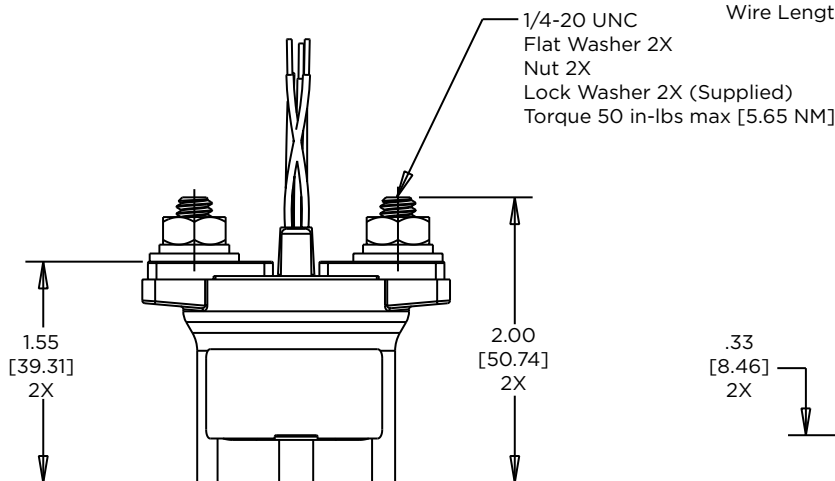
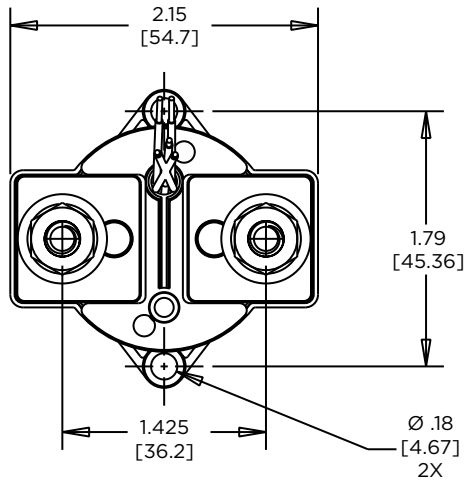
MECHANICAL/ENVIRONMENTAL

- **Shock, 11ms 1/2 sine (operating):** 20G peak
- **Sine Vibration, 15G_{pk}:** 55-2000 Hz
- **Operating Temperature Range:** -40°C to +85°C
- **Noise Emission (at 100mm distance):** 70dB (a)

ELECTRICAL

- **Voltage Rating – Main Contacts (max):** 1000 Vdc
- **Current Rating, Continuous: Main Contacts [Note 1]:** 250A
- **Contact Voltage Drop: Main Contacts (max @250A):** 85mV
- **Resistive Load Performance:**

100A make/break @ 600Vdc:	1000 cycles
150A make/break @ 400Vdc:	1000 cycles
250A break only @ 400Vdc:	100 cycles
250A break only @ 600Vdc:	50 cycles
1000A break only @ 400Vdc:	5 cycles
600A break only @ 600Vdc:	5 cycles
80A break only @1000Vdc:	3 cycles
600A make only:	25 cycles
- **Maximum Short Circuit Current (1/2 cycle, 60 Hz) (through closed contacts or closure into load):** 1250 A
- **Mechanical Life:** 100,000 cycles



- **Dielectric Withstand Voltage:**
Between Open Contacts: 4250 Vdc
Contacts to Coil: 4250 Vdc
- **Insulation Resistance (Terminal to Terminal/Terminals to Coil):**
100 M Ω min @ 1000Vdc [new]
50 M Ω min @ 1000Vdc [end of life]

Notes: [1] 4/0 AWG/150 mm² conductor. Current rating is affected by conductor size. Keep terminals below 150° C max continuous.

COIL (INTERNAL PWM COIL ECONOMIZER)

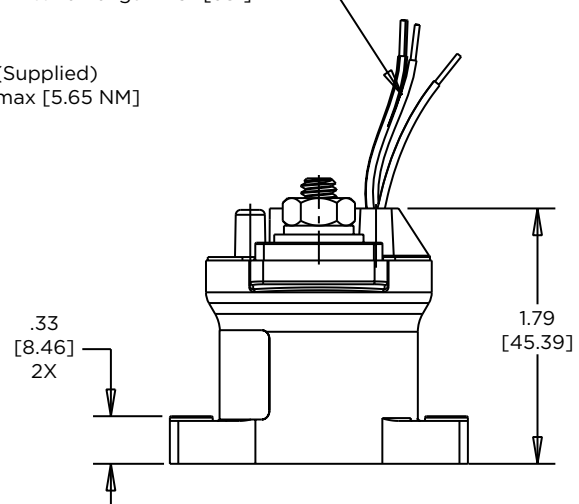
- **Coil Voltage Range:** 12-36 Vdc
- **Max Pickup Current (20°C):** 3.0A
- **Average Holding Current (20°C):** .28A @ 24Vdc
- **Pickup Voltage (20°C):** \geq 12Vdc
- **Dropout Voltage:** \leq 8Vdc
- **Pickup Pulse (max):** 100ms
- **Coil Resistance +/-5% (20°C):** 8.0 Ω
- **Coil Economizer Frequency:** 19.6kHz
- **Coil Power Typ. (over temp range):** 5.2W
- **Main Contacts:**
Operate Time (max): 30ms
Operate Bounce (max): 5ms
Release Time: 10ms
Aux Contacts Simultaneity WRT Mains: 5ms

ORDERING INFORMATION

Part Number: 1-1618414-2

Recommended Termination Lug: TE PN 2-36932-2

Coil/Aux Wires:
M22759/11 - 24
Red: Coil +
Black: Coil Return
Green: Aux COM
Brown: Aux NO
White: Aux NC
Wire Length: 15" [381]



Empower Engineers to Solve Problems, Moving the World Forward.

AMP | AGASTAT | CII | HARTMAN | KILOVAC | MICRODOT | NANONICS | POLAMCO | Raychem
SEACON | Rochester | DEUTSCH

Connect With Us

We make it easy to connect with our experts and are ready to provide all the support you need. Visit te.com/support to chat with a Product Information Specialist.

te.com/kilovac-k250

AMP, AGASTAT, CII, DEUTSCH, HARTMAN, KILOVAC, MICRODOT, NANONICS, POLAMCO, Raychem, SEACON, TE, TE Connectivity, and TE Connectivity (logo) are trademarks. All other logos, products and/or company names referred to herein might be trademarks of their respective owners.

The information given herein, including drawings, illustrations and schematics which are intended for illustration purposes only, is believed to be reliable. However, TE Connectivity makes no warranties as to its accuracy or completeness and disclaims any liability in connection with its use. TE Connectivity's obligations shall only be as set forth in TE Connectivity's Standard Terms and Conditions of Sale for this product and in no case will TE Connectivity be liable for any incidental, indirect or consequential damages arising out of the sale, resale, use or misuse of the product. Users of TE Connectivity products should make their own evaluation to determine the suitability of each such product for the specific application.

© 2020 TE Connectivity All Rights Reserved.

2373271-1 05/20 Original

KILOVAC K250 HIGH VOLTAGE DC CONTACTOR

TE Connectivity
Aerospace, Defense & Marine
2900 Fulling Mill Road
Middletown, PA 17057