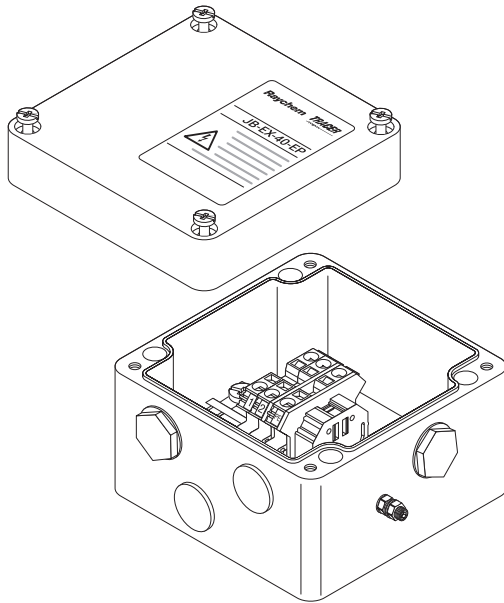


MULTI PURPOSE JUNCTION BOX



Industrial polyester junction box with earth plate for use in hazardous areas. This box can be used to make connections between power cables, heating cables and cold lead cables using M25 metallic connection kits or glands. Earthing of the connections is realized via the earth plate

Depending on the configuration of the system, the box can accommodate 3 cold lead entries and/or a power cable.

M25 connection kits have to be ordered separately or are integrated in the heating unit (eg MI heating units), depending on the type of heating cable being used. Cable connection is accomplished via DIN rail mounted spring-type terminals.

The box can be either wall or pipe mounted via the four holes moulded in the base of the box. For pipe mounting use one of the standard support bracket.

TYPICAL USE

Power supply box, end-box (3-Phase), marshalling box.

ENTRIES



3 x M25
1 x M25

KIT CONTENTS

1 x junction box with terminals on DIN rail
2 x M25 stopping plugs
2 x M25 rain plug (temporary)

APPROVALS

PTB 00 ATEX 1002

 II 2G Ex edm ia [ia] IIC T6, T5 and T4
 II 2D Ex tD A21 IP66 T85°C, T100°C and T135°C

IECEX PTB 08.0004

Ex e ia II, IIC T6, T5, T4
Ex tD A21 IP66 T 85°C, T 100°C, T 135°C



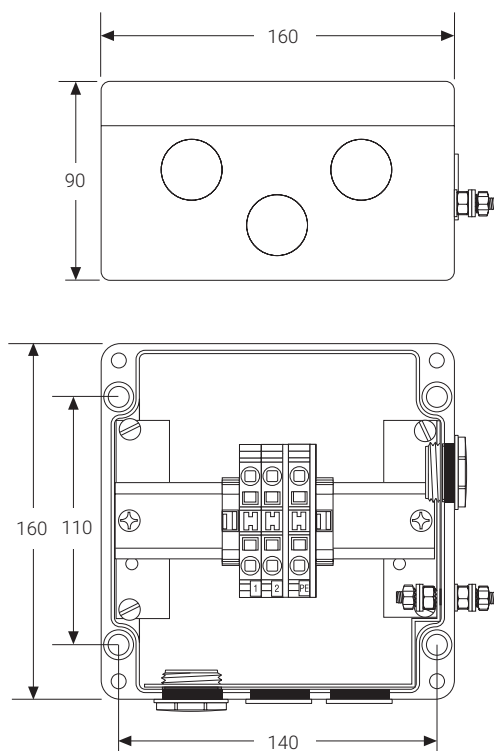
№ EA9C RU C-BE.MI062.B.00879/19
ООО «ПРОММАШ ТЕСТ»
1 Ex e IIC T6 Gb
Ex tb IIIC T85°C Db

MATERIALS OF CONSTRUCTION

Box & lid	Electrostatic charge-resistant glass-filled engineered polymer, black
Sealing gasket	Silicone rubber
Lid fixing screws	Stainless steel (captive)

DIMENSIONS (IN MM)

JB-EX-40



INGRESS PROTECTION

IP66

AMBIENT TEMPERATURE RANGE

-55°C to +55°C

TERMINALS

Quantity	3 pc
Type	Spring-type
Labeling	1, 2, PE
Maximum conductor size	10 mm ² (solid & stranded)
Maximum operating voltage	550 Vac
Maximum operating current	53 A

ACCESSORIES (TO BE ORDERED SEPARATELY)

Support bracket	SB-100, SB-101, SB-130 (for fixation to cable tray)
Gland for MI cold leads	Integrated in MI heating unit or contact Thermal management for more information
Gland for power cable	GL-55-M25 (Polyamide) GL-38-M25-METAL (Ni plated brass)
Loose terminals (*)	Phase/neutral terminal: HWA-WAGO-PHASE Earth terminal: HWA-WAGO-EARTH End plate: HWA-WAGO-ENDPLATE Terminal jumper: HWA-WAGO-JUMPER

ORDERING DETAILS

Order reference	JB-EX-40-EP
Part number (Weight)	1244-020505 (1.6 kg)

(*) in total no more than 7 terminals should be installed.

North America

Tel +1.800.545.6258
Fax +1.800.527.5703
thermal.info@nVent.com

Europe, Middle East, Africa

Tel +32.16.213.511
Fax +32.16.213.604
thermal.info@nVent.com

Asia Pacific

Tel +86.21.2412.1688
Fax +86.21.5426.3167
cn.thermal.info@nVent.com

Latin America

Tel +1.713.868.4800
Fax +1.713.868.2333
thermal.info@nVent.com



nVent.com

Our powerful portfolio of brands:

CADDY ERICO HOFFMAN RAYCHEM SCHROFF TRACER