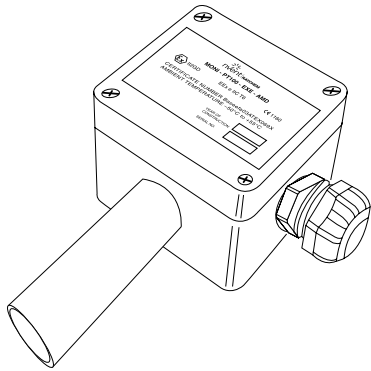


AMBIENT SENSING TEMPERATURE SENSOR FOR HAZARDOUS AREA (PT100)



PRODUCT OVERVIEW

The nVent RAYCHEM MONI-PT100-EXE-AMB 3-wire Pt 100 temperature sensor connected to glass fiber reinforced polyester junction box. The sensor is approved for hazardous area and can be used in safe area.

The protection tube not only mechanically protects the actual temperature sensor it also prevents the sensor from sudden temperature changes caused by direct sunlight and or wind.

GENERAL FEATURES

Area of use Hazardous area Zone 1 or Zone 2 Gas (Zone 21, Zone 22 Dust)

APPROVALS

 II2GD
 Ex e IIC T6 Ta-50°C TO +60°C Gb
 Ex tb IIIC T185°C Ta-50°C TO +60°C Db IP66
 Baseefa 11ATEX0068X
 IECEx BAS 11.0033X



TC RU C-BE.ИМ43.В.01764
 000 "ТехИмпорт"
 1Ex e IIC T6 Gb X
 Ex tb IIIC T85°C Db X
 IP66 Ta -50°C...+60°C
 Made in GB

SENSOR

Type	Pt 100 (3-Wire) acc. DIN IEC 751, Class B
Material	Sensor: stainless steel (MI) Protection tube: brass
Temperature measuring range	Assembly -50°C to +60°C (Sensor measuring range from -100°C to +500°C)

ENCLOSURE

Material	Glass fiber reinforced box (Black) M4 captive stainless steel cover screws.
Ingress protection	IP66
Dimensions	Box: With = 80 mm Height = 75 mm Depth = 55 mm Installed: with = ~110 Height = ~200 mm
Cable entry	M20 (Ex e) suitable for cable diameters ranging form 10 mm to 14 mm
Operating temperature	-50°C to +60°C
Mounting	Surface mount via molded holes centered at 68 x 45 mm. Any installation position is allowed.

INSTALLATION AND CONNECTION

Terminals	4 front entry cage clamp terminals suitable for cables from 0.5- to 2.5 mm ²
-----------	---

ORDERING DETAILS

Part number	1244-004451
-------------	-------------

North America

Tel +1.800.545.6258
Fax +1.800.527.5703
thermal.info@nVent.com

Europe, Middle East, Africa

Tel +32.16.213.502
Fax +32.16.213.604
thermal.info@nVent.com

Asia Pacific

Tel +86.21.2412.1688
Fax +86.21.5426.3167
cn.thermal.info@nVent.com

Latin America

Tel +1.713.868.4800
Fax +1.713.868.2333
thermal.info@nVent.com



[nVent.com](https://www.nVent.com)

Our powerful portfolio of brands:

CADDY ERICO HOFFMAN RAYCHEM SCHROFF TRACER