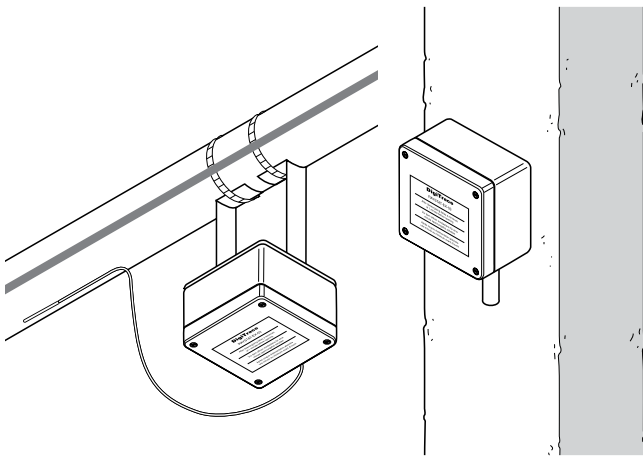


DIGITRACE RAYSTAT-EX-03 AND RAYSTAT-EX-04

SURFACE AND AMBIENT SENSING, ELECTRONIC




These electronic surface sensing and ambient thermostats provide accurate temperature control for heating cables.

The units can be supplied at nominal voltages of either 110 V 50/60 Hz or 230 V 50/60 Hz and have a double pole switch rated at 16 A. The switch contacts can be arranged to be volt free. Temperature setting is accurate via digital thumb wheel switches inside the enclosure.

The surface sensing version is supplied with a Pt 100 sensor and a 2 m long stainless steel sheathed extension cable giving freedom to locate the electronics remote from the sensor. The ambient version is supplied with a local Pt 100 sensor and a wind shield.

The enclosure is manufactured from high impact resistant glass filled polyester offering IP66 protection. For pipe temperatures up to 215°C, the units can be mounted on the pipe using a support bracket.

APPLICATION	RAYSTAT-EX-03	RAYSTAT-EX-04
	Surface sensing	Ambient sensing
THERMOSTAT		
Area of use	Hazardous area: Zone 1 or Zone 2 (Gas) or Zone 21 or Zone 22 (Dust) Ordinary	
APPROVALS CERTIFICATION		
	Baseefa11ATEX0071X  II 2 GD When the unit is powered with a supply voltage ≥ 99 and ≤ 230 Va.c. Ex e mb ia IIC T6 Ta -50°C to +60°C Gb Ex tb IIIC T85°C Ta -55°C to +60°C Db IP66 When the unit is powered with a supply voltage $> 230 \leq 253$ Va.c. Ex e mb ia IIC T5 Ta -50°C to +60°C Gb Ex tb IIIC T100°C Ta -55°C to +60°C Db IP66	IECEX BAS 11.0036X
PRODUCT SPECIFICATION		
Temperature range	0°C to 499°C	0°C to 49°C
Ingress protection	IP66	IP66
Deluge testing	Passed Shell UK requirements	Passed Shell UK requirements
Switching accuracy	± 1 K at 5°C $\pm 1\%$ of setpoint above 100°C	± 1 K at 5°C
Switching differential (Hysteresis)	$\approx 1^\circ\text{C}$ at 100°C $\approx 2^\circ\text{C}$ at 200°C $\approx 5^\circ\text{C}$ at 499°C	$\approx 1^\circ\text{C}$
Output relay	Dual pole change overtype (DPDT) (optional volt free)	Dual pole change over type (DPDT) (optional volt free)

RAYSTAT-EX-03 AND RAYSTAT-EX-04

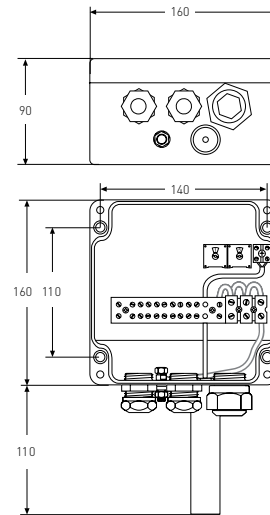
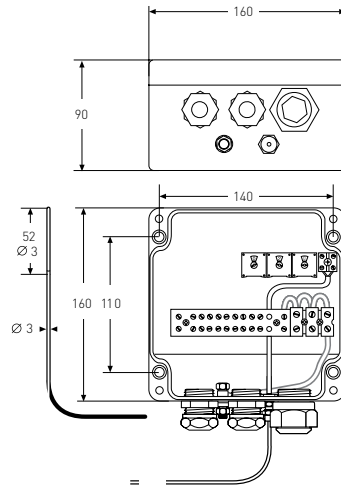
PRODUCT SPECIFICATION (continued)

Switching capacity	16 A 110 Vac ±10% 50/60 Hz 16 A 230/253 Vac ±10% 50/60 Hz resistive load	16 A 110 Vac ±10% 50/60 Hz 16 A 230/253 Vac ±10% 50/60 Hz resistive load
Ambient temperature range	+55 to +60	+55 to +60
Supply voltage	110 Vac ±10% 50/60 Hz 230/253 Vac ±10% 50/60 Hz	110 Vac ±10% 50/60 Hz 230/253 Vac ±10% 50/60 Hz
Internal power consumption	110 Vac ~ 4 VA, 230/253 Vac ~ 3 VA	
Terminal size	max. 4 mm ²	max. 4 mm ²

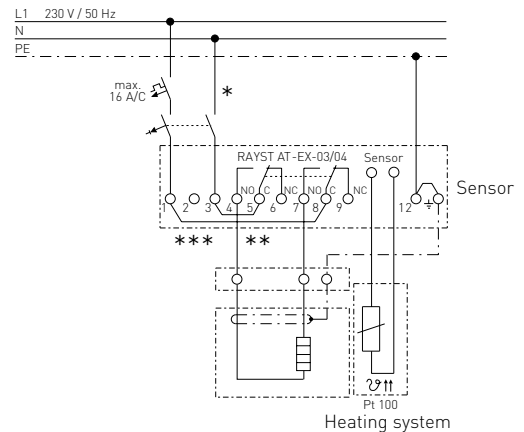
DIMENSIONS (IN MM)

RAYSTAT-EX-03

RAYSTAT-EX-04



TYPICAL WIRING DIAGRAM FOR DIRECT SWITCHING



- * Circuit breaker configurations may vary according to local standards/requirements
- ** Link 1-8 and/or 3-5 can be removed to provide potential-free contacts
- *** Terminal 2: 110 Vac input terminal

Cable entries	2 x M20 glands (cable Ø 7.5 – 13 mm) 1 x M25 with M25(M)/M20(F) adaptor and (M20) plug	2 x M20 glands (cable Ø 7.5 – 13 mm) 1 x M25 with M25(M)/M20(F) adaptor and (M20) plug
Sensor	2 wire Pt 100, stainless steel sensor, 2 m long	2 wire Pt 100, stainless steel sensor, complete with wind shield

MOUNTING METHOD

	Raychem support bracket SB-100 or SB-101, SB125 or surface mounting with 4 fixing holes on 110x140 mm centres	Raychem support bracket SB-100 or SB-101, SB125 or surface mounting with 4 fixing holes on 110x140 mm centres
--	---	---

ORDERING DETAILS

Part Description	RAYSTAT-EX-03	RAYSTAT-EX-04
PN (Weight)	333472-000 (3.0 kg)	462834-000 (3.1 kg)



WWW.PENTAIRTHERMAL.COM

EUROPE, MIDDLE EAST, AFRICA

Tel: +32.16.213.511
Fax: +32.16.213.603
thermal.info@pentair.com

UNITED KINGDOM

Tel: 0800 969 013
Fax: 0800 968 6241
salesthermaluk@pentair.com

IRELAND

Tel: 1800 654 241
Fax: 1800 654 240
salesie@pentair.com

All Pentair trademarks and logos are owned by Pentair. All other brand or product names are trademarks or registered marks of their respective owners. Because we are continuously improving our products and services, Pentair reserves the right to change specifications without prior notice. Pentair is an equal opportunity employer.

© 2013 Pentair. All Rights Reserved.