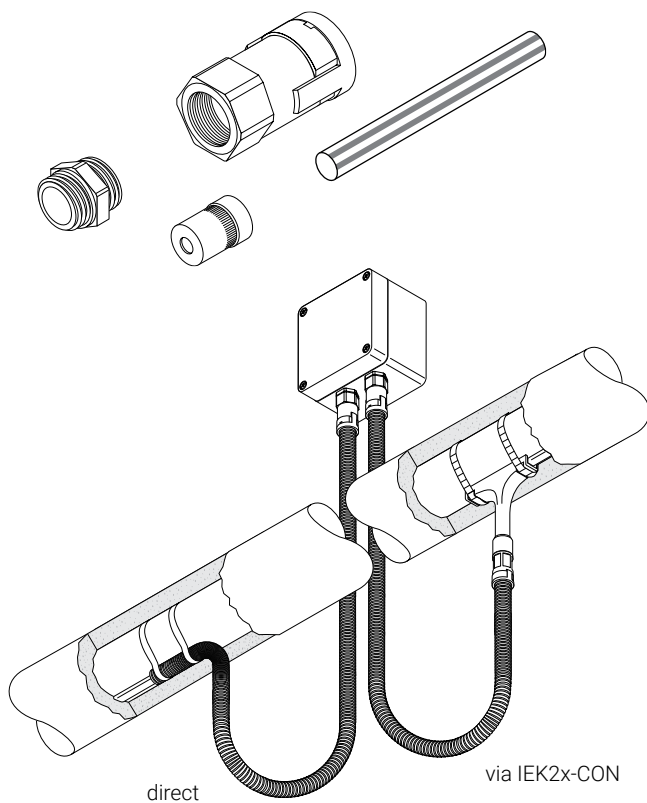


COLD APPLIED CONDUIT CONNECTION KIT



This connection kit is designed for terminating the full range of nVent RAYCHEM XPI polymer insulated series heating cables and cold leads in to a junction box, as well as providing a reliable and sealed connection to a conduit system.

It is approved for use in hazardous locations. The conduit system will provide supplementary mechanical protection of the heating cable or cold lead between a junction box and the entry into the insulation. The conduit connection is fast and reliable and allows simple installation whilst maintaining at all time an IP66 seal.

The kit can be used with various types of conduits which can be cut-to-length as required in the field. The kit exists in three different versions, depending on the outer diameter of the heating cable or cold lead to protect. The conduit and possibly required insulation entry kit need to be purchased separately.

APPLICATION

Connection kit with conduit adaptors for 2 PI series heating cables or cold lead cables

KIT CONTENTS

- 2 metal gland bodies,
- 2 conduit adaptors including safety retention clip,
- 2 grommets,
- 2 green/yellow tubes for braid,
- 1 installation instruction (multilingual)

APPROVALS

SEV 05 ATEX 0147U

 II 2G Ex e IIC Ta -55...+40°C

 II 2D Ex tD A21 IP66 Ta -55...+40°C



TC RU C-BE.ИМ43.В.01854

ООО «ТехИмпорт»

Ambient temp range: -55°C...+40°C

Ex e II Gb U

Ex tb IIIC Db U

Made in Switzerland

PRODUCT SPECIFICATION

Area classification	Hazardous, Zone 1, Zone 2 (Gas), Zone 21, Zone 22 (Dust)
Thread size	M20 x 1.5
Conduit compatibility	ND 17 mm, nVent RAYCHEM conduits type CCON20-C.....
Ambient temperature	-55°C to +40°C
IP ingress protection rating	IP66
Surface resistance	< 1GΩ according to the requirements of EN 60079-0 and EN 61241-0 for use in hazardous areas

TECHNICAL DATA

	nVent RAYCHEM CCON20-100-PI-A	CCON20-100-PI-B	CCON20-100-PI-C
PI cable diameter range	4.0 - 6.5 mm	6.5 – 9.5 mm	9.5 – 13 mm

ORDERING DETAILS

Part description	CCON20-100-PI-A	CCON20-100-PI-B	CCON20-100-PI-C
PN (Weight)	1244-003274 (0.1 kg)	1244-003276 (0.1 kg)	1244-003278 (0.1 kg)

ACCESSORIES

For suitable conduits and insulation entry kits refer to the datasheet for CCON2x-C...

North America

Tel +1.800.545.6258
Fax +1.800.527.5703
thermal.info@nVent.com

Europe, Middle East, Africa

Tel +32.16.213.502
Fax +32.16.213.604
thermal.info@nVent.com

Asia Pacific

Tel +86.21.2412.1688
Fax +86.21.5426.3167
cn.thermal.info@nVent.com

Latin America

Tel +1.713.868.4800
Fax +1.713.868.2333
thermal.info@nVent.com



nVent.com

Our powerful portfolio of brands:

CADDY ERICO HOFFMAN RAYCHEM SCHROFF TRACER