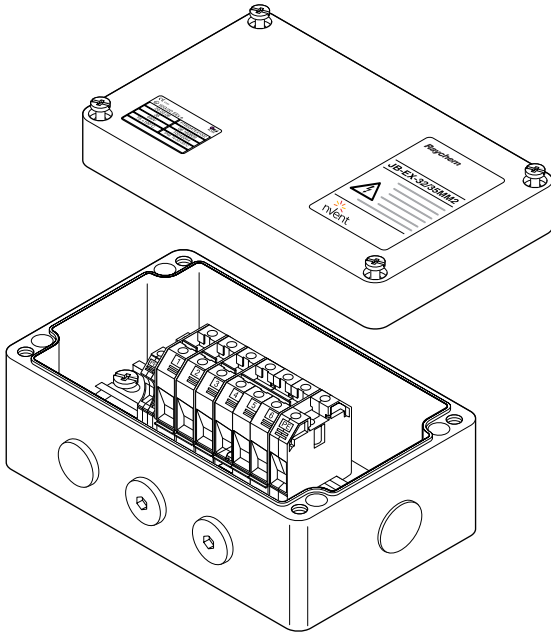


# JB-EX-32/35MM2



**RAYCHEM**

## MULTI PURPOSE JUNCTION BOX



Industrial junction box for use in hazardous areas with MI heating cables when large terminal sizes are required. This box can be used to make connections between power cables, heating cables and cold lead cables. Depending on the configuration of the system, the box can accommodate multiple heating cables/cold leads and a power cable.

The M32 glands are already present in the case of factory terminated heating units. In case of on-site assemblies, refer to DOC-606 for detailed information about the required accessories.

Cable connection is accomplished via DIN rail mounted screw terminals from Weidmüller to provide safe, reliable and maintenance-free operation.

The box can be wall mounted via the four holes moulded in the base of the box.

### TYPICAL USE

Power supply box, end-box, splice box for series heating cables (MI), when terminated with M32 glands.  
Marshalling box for power cables.



### ENTRIES

3 x M32  
1 x M40

### KIT CONTENTS

Junction box with screw terminals on DIN rail  
2 x M32 stopping plugs  
1 x M32 rain plug (temporary)  
1 x M40 stopping plug

### APPROVALS

PTB 00 ATEX 1002  II 2G Ex edm ia [ia] IIC T6, T5 and T4  
 II 2D Ex tD A21 IP66 T85°C, T100°C and T135°C

IECEX PTB 08.0004 Ex e ia II, IIC T6, T5, T4  
Ex tD A21 IP66 T 85°C, T 100°C, T 135°C



TC RU C-BE.ИМ43.В.01571  
ООО «ТехИмпорт»  
Ambient temp range: -55°C...+55°C  
1Ex d e mb ia (ia) IIC T6...T4 Gb  
Ex tb IIIC T85°C...T135°C Db Ta -55°C...+55°C IP66  
Made in India

## MATERIALS OF CONSTRUCTION

|                   |   |
|-------------------|---|
| Box & lid         | Electrostatic charge-resistant glass-filled engineered polymer, black |
| Sealing gasket    | Silicone rubber   |
| Lid fixing screws | Stainless steel (captive)   |

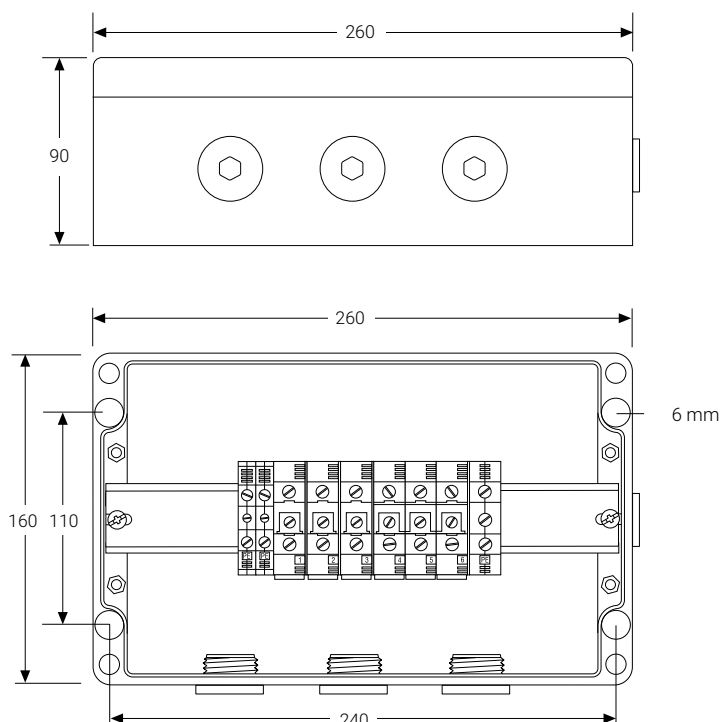
## INGRESS PROTECTION

IP66

## AMBIENT TEMPERATURE RANGE

-55°C to +55°C

## DIMENSIONS (IN MM)



## TERMINALS

|                 |  |
|-----------------|--|
| Quantity & type | 6 pcs WDU35 screw terminals, 3 separate and 3 bridged,<br>2 pcs WPE10 earth terminals for heating cable earth leads,<br>1 pc WPE35 earth terminal for power cable,<br>Junction box can accommodate up to 6 fully loaded phase/neutral terminals<br>(maximum 10 terminals in total) |
|-----------------|--|

|                           |  |
|---------------------------|--|
| Labelling                 | 1, 2, 3, 4, 5, 6 + 3 x PE                              |
| Minimum conductor size    | 2.5 mm <sup>2</sup> stranded & solid                   |
| Maximum conductor size    | 35 mm <sup>2</sup> stranded & 16 mm <sup>2</sup> solid |
| Maximum operating voltage | 690 Vac  |
| Maximum operating current | 100 A  |

## ACCESSORIES (TO BE ORDERED SEPARATELY)

|                         |  |
|-------------------------|--|
| Glands for power cables | GL-51-M40 hazardous area approved gland for cables Ø 19-28mm, up to -55°C<br>GL-45-M32 hazardous area approved gland for cables Ø 14-21mm, up to -55°C   |
| Reducer                 | REDUCER-M40/32-EEXE hazardous area M40 male to M32 female reducer<br>REDUCER-M32/25-EEXE hazardous area M32 male to M25 female reducer   |
| Loose terminals         | 35 mm <sup>2</sup> phase/neutral terminal: HWA-WDM-PHASE-35<br>10 mm <sup>2</sup> earth terminal: HWA-WDM-EARTH-10<br>35 mm <sup>2</sup> earth terminal: HWA-WDM-EARTH-35<br>Endplate: HWA-WDM-PLATE<br>Terminal jumper (2): HWA-WDM-JUMPER-35-2<br>Terminal jumper (3): HWA-WDM-JUMPER-35-3 |
| Gland for MI cold leads | In case of factory terminated units, already present.<br>For on-site assemblies, contact nVent or refer to DOC-606   |

## ORDERING DETAILS

|                      |                              |
|----------------------|------------------------------|
| Order reference      | nVent RAYCHEM JB-EX-32/35MM2 |
| Part number (Weight) | 1244-006655 (1.9 kg)         |

### North America

Tel +1.800.545.6258  
Fax +1.800.527.5703  
thermal.info@nVent.com

### Europe, Middle East, Africa

Tel +32.16.213.502  
Fax +32.16.213.604  
thermal.info@nVent.com

### Asia Pacific

Tel +86.21.2412.1688  
Fax +86.21.5426.3167  
cn.thermal.info@nVent.com

### Latin America

Tel +1.713.868.4800  
Fax +1.713.868.2333  
thermal.info@nVent.com



nVent.com

Our powerful portfolio of brands:

CADDY ERICO HOFFMAN RAYCHEM SCHROFF TRACER