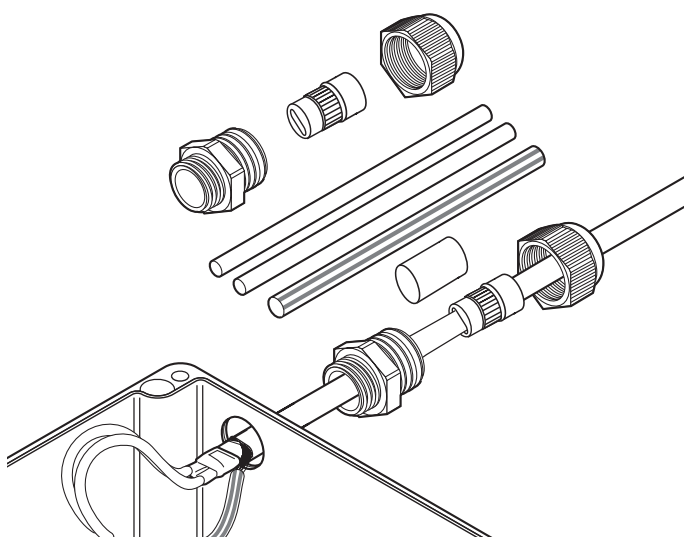


## HEAT-SHRINK CONNECTION KIT



### DESCRIPTION

This connection kit is designed for terminating all nVent RAYCHEM BSA and BTV-CR industrial parallel heating cables to a junction box in ordinary (non-hazardous) area applications, whilst maintaining electrical insulation of the heating cable conductors and core.

The sealing of the heating cable core is provided by heat-shrinkable sleeves. The grommet supplied in this kit enables the gland to maintain optimum sealing under various ambient conditions.

### APPLICATION

Connection kit for BSA and BTV-CR parallel heating cables in ordinary (non-hazardous) area

### KIT CONTENTS

- 1 gland with grommet
- 1 green/yellow tube and heat-shrinkable sleeves for core sealing
- 1 installation instruction (multilingual)

### APPROVALS



Products are in compliance with IEC/EN 62395-1:2013  
DNV approval pending

### PRODUCT SPECIFICATION

Type	Heat-shrinkable
Thread size	M25 x 1.5
Min. ambient temperature	-20°C
Max. exposure temperature (gland)	100°C
IP ingress protection rating	IP66

### ORDERING DETAILS

Part description	C25-01
PN (Weight)	1244-020909 (0.06 kg)

**North America**

Tel +1.800.545.6258  
Fax +1.800.527.5703  
thermal.info@nvent.com

**Europe, Middle East, Africa**

Tel +32.16.213.511  
Fax +32.16.213.604  
thermal.info@nvent.com

**Asia Pacific**

Tel +86.21.2412.1688  
Fax +86.21.5426.3167  
cn.thermal.info@nvent.com

**Latin America**

Tel +1.713.868.4800  
Fax +1.713.868.2333  
thermal.info@nvent.com



[nVent.com](http://nVent.com)

Our powerful portfolio of brands:

**CADDY ERICO HOFFMAN RAYCHEM SCHROFF TRACER**