



Trading in top quality

Idétrading Electronics B.V.

Spinel 200  
3316 LG - Dordrecht  
The Netherlands

+31 (0)78 - 617 00 02  
+31 (0)78 - 617 45 09  
sales@idetrading.nl  
www.idetrading.nl

600-058 and 600-061  
Hand Banding Tools

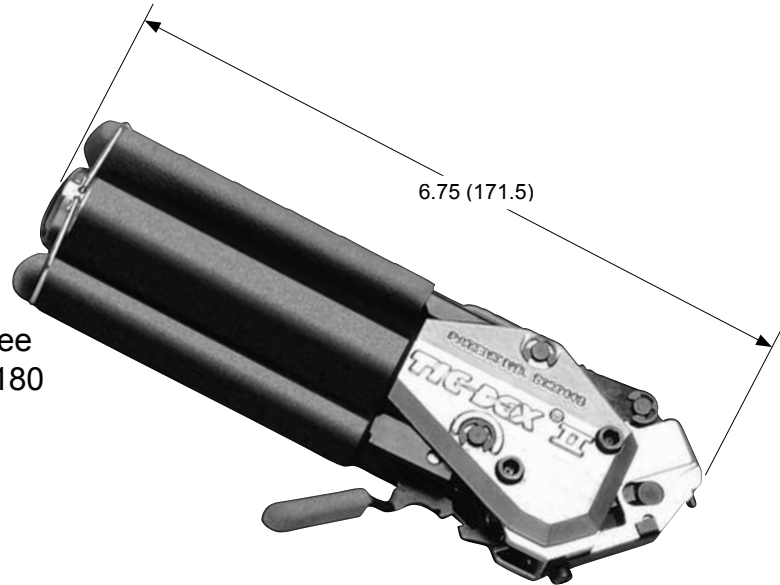
Glennair®

Banding  
Tools

## Hand Banding Tool 600-058

The **600-058 Hand Banding Tool** weighs 1.18 lbs., and is designed for standard clamping bands 600-052 and 600-090 (see page 36) in a tension range from 100 to 180 lbs. Calibrate at 150 lbs.  $\pm$  5 lbs. For most shield terminations. Tool and band should never be lubricated.

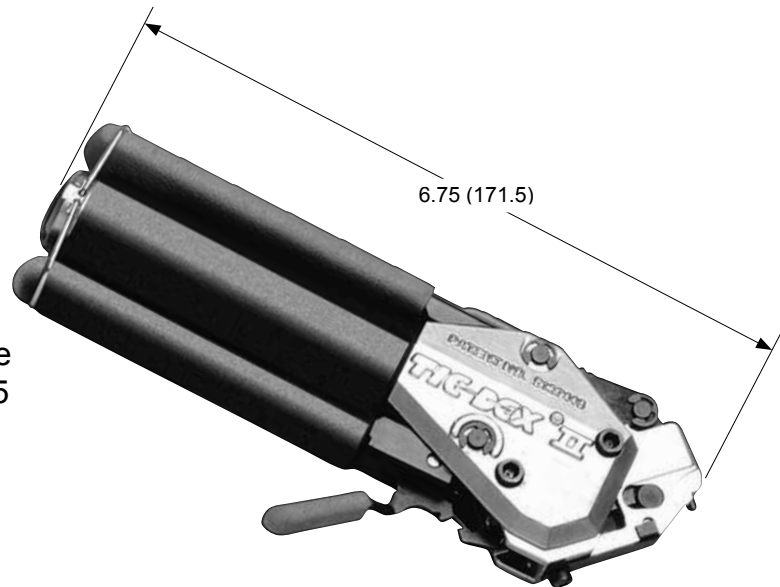
Reference: **BAND-IT®** part number A40199.



## Hand Micro Banding Tool 600-061

The **600-061 Hand Micro Banding Tool** weighs 1.18 lbs., and is designed for micro clamping bands 600-057 and 600-083 (see page 36) in a tension range from 50 to 85 lbs. Calibrate at 80lbs  $\pm$  5 lbs. For most shield terminations. Tool and band should never be lubricated.

Reference: **BAND-IT®** part number A30199.



Metric Dimensions (mm) are indicated in parentheses.