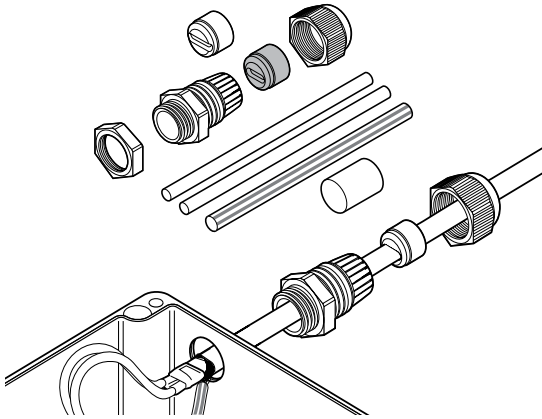


HEAT-SHRINK CONNECTION KIT



This connection kit is designed for terminating all nVent RAYCHEM BTV, QTVR, XTV, KTV and VPL industrial parallel heating cables to a junction box, whilst maintaining electrical insulation of the heating cable conductors and core.

The sealing of the heating cable core is provided by nVent RAYCHEM heat-shrinkable sleeves. Two grommets supplied in this kit enable the gland to maintain optimum sealing under various ambient conditions.

An additional locknut is provided for unthreaded entries.

APPLICATION

Connection kit for BTV, QTVR, XTV, KTV and VPL parallel heating cables

KIT CONTENTS

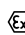
- 1 gland,
- 2 grommets,
- 1 locknut,
- 1 green/yellow tube, heat-shrinkable sleeves for core sealing,
- 1 installation instruction (multilingual)


APPROVALS

The kit is certified as part of the system approval of the various heating cables.

BTV	QTVR	XTV	KTV	VPL
Baseefa06ATEX0183X	Baseefa06ATEX0185X	Baseefa06ATEX0184X	Baseefa06ATEX0186X	Baseefa06ATEX0188X
IECEX BAS 06.0043X	IECEX BAS 06.0045X	IECEX BAS 06.0044X	IECEX BAS 06.0046X	IECEX BAS 06.0048X

 II 2G Ex e II II 2D Ex tD A21 IP66

 Ex e II Ex tD A21 IP66

	TC RU C-BE.MIO62.B.00054/18	DNV-GL TAE00000TV
	1Ex e IIC Gb X Ex tb IIIC Db X	DNV-GL TAE00000TU
	Ta -55°C...+110°C IP66 OOO "TexИмпорт"	

PRODUCT SPECIFICATION

Area classification	Hazardous, Zone 1, Zone 2 (Gas), Zone 21, Zone 22 (Dust) Ordinary
Type	Heat-shrinkable
Thread size	M25 x 1.5
Min. ambient temperature	-55°C
Max. exposure temperature (gland)	110°C
IP ingress protection rating	IP66

ORDERING DETAILS

Part description	nVent RAYCHEM C25-21
PN (Weight)	311147-000 (0.06 kg)

North America

Tel +1.800.545.6258
Fax +1.800.527.5703
thermal.info@nVent.com

Europe, Middle East, Africa

Tel +32.16.213.502
Fax +32.16.213.604
thermal.info@nVent.com

Asia Pacific

Tel +86.21.2412.1688
Fax +86.21.5426.3167
cn.thermal.info@nVent.com

Latin America

Tel +1.713.868.4800
Fax +1.713.868.2333
thermal.info@nVent.com



nVent.com

Our powerful portfolio of brands:

CADDY ERICO HOFFMAN RAYCHEM SCHROFF TRACER