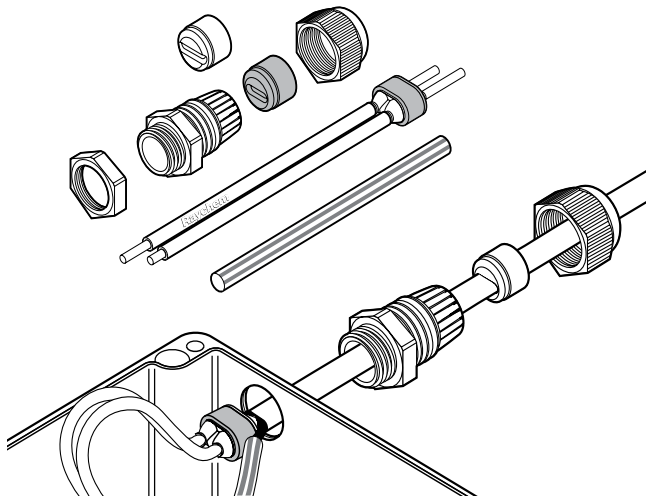


COLD APPLIED CONNECTION KIT



This connection kit is designed for terminating all nVent RAYCHEM BTV, QTVR, XTV, KTV and VPL industrial parallel heating cables to a junction box, whilst maintaining electrical insulation of the heating cable conductors and core. It is approved for use in hazardous areas.

The core sealing boot does not require a heat gun or torch for the installation (no hot work permit necessary). The non-curing sealant (silicone free) allows easy installation and facilitates maintenance purposes.

Two grommets supplied in this kit enable the gland to maintain optimum sealing under various ambient conditions. An additional locknut is provided for unthreaded entries.

APPLICATION

Connection kit for BTV, QTVR, XTV, KTV and VPL parallel heating cables.

KIT CONTENTS

1 gland, 2 grommets, 1 locknut, 1 core sealer, 1 green/yellow tube, 1 installation instruction (multilingual)

APPROVALS

PTB 09 ATEX 1063 U  II 2G Ex e II
 II 2D Ex tD A21 IP66

IECEx PTB 09.0040U Ex e II
 Ex tD A21 IP66
 DNV-GL TAE00000TV
 DNV-GL TAE00000TU



TC RU C-BE.MЮ62.B.00054/18
 1Ex e IIC Gb X Ex tb IIIC Db X
 Ta -55°C...+110°C IP66
 000 "ТехИмпорт"

PRODUCT SPECIFICATION

Area classification	Hazardous, Zone 1, Zone 2 (Gas), Zone 21, Zone 22 (Dust) Ordinary
Type	Cold applied
Thread size	M25 x 1.5
Min. ambient temperature	-50°C
Max. exposure temperature (gland)	110°C

ORDERING DETAILS

Part description	C25-100
PN (Weight)	263012-000 (0.07 kg)

North America

Tel +1.800.545.6258
Fax +1.800.527.5703
thermal.info@nvent.com

Europe, Middle East, Africa

Tel +32.16.213.511
Fax +32.16.213.604
thermal.info@nvent.com

Asia Pacific

Tel +86.21.2412.1688
Fax +86.21.5426.3167
cn.thermal.info@nvent.com

Latin America

Tel +1.713.868.4800
Fax +1.713.868.2333
thermal.info@nvent.com



nVent.com

Our powerful portfolio of brands:

CADDY ERICO HOFFMAN RAYCHEM SCHROFF TRACER