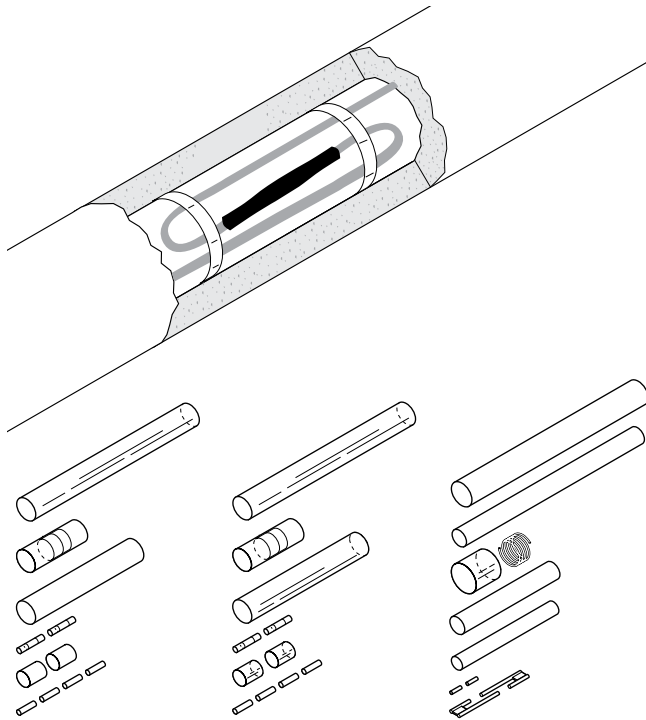


# S-19, S-21 AND S-69



**RAYCHEM**

## HEAT-SHRINK UNDER INSULATION IN-LINE SPLICE KIT



These splice kits are designed for the in-line joining of nVent RAYCHEM selfregulating heating cables.

The kit nVent RAYCHEM S-19 is designed for use with BTV heating cables, the S-21 for QTVR and the S-69 is for use with XTV and KTV heating cables.

All kits are approved for use in hazardous areas.

The splice kits employ easy to use heat-shrinkable tubing with an adhesive, that when heated forms a semi-flexible moisture proof encapsulation.

Electrical continuation is maintained via crimps for the conductors and a solder connection for the braid of the heating cable.

Due to its low profile design the finished splice can be installed under the insulation, directly on the pipe.


### APPLICATION

	S-19	S-21	S-69
	In-line splice kit for BTV heating cables	In-line splice kit for QTVR heating cables	In-line splice kit for XTV and KTV heating cables

### KIT CONTENTS

heat-shrinkable adhesive coated sleeves	heat-shrinkable adhesive coated sleeves	heat-shrinkable sleeves
insulation sleeves	insulation sleeves	adhesive liners
solder sleeves	solder sleeves	insulation sleeves
crimps	crimps	high temperature solder crimps

### APPROVALS

 II 2G/D Ex e II by PTB and Baseefa Ltd.  
 according to EN/IEC 60079-30-1  
 DNV Certificate No. DNV-GL TAE00000TU (S-19 & S-21)  
 DNV Certificate No. DNV-GL TAE00000TV (S-69)



TC RU C-BE.MЮ62.B.00054/18  
000 "ТехИмпорт"

## PRODUCT SPECIFICATIONS

	S-19	S-21	S-69
Max. exposure temperature	85°C	135°C	160°C
Maximum current rating	40 A	40 A	40 A
Dielectric strength	1.3 – 3.5 MV/m	2.2 MV/m	> 6 MV/m
Volume resistivity	10 <sup>12</sup> Ω cm	10 <sup>13</sup> Ω cm	10 <sup>10</sup> Ω cm
Final dimensions	length approx. 180 mm	length approx. 180 mm	length approx. 300 mm diameter approx. 20 mm

## INSTALLATION DETAILS

Heat shrinkable tubing	125°C and 175°C	125°C and 175°C	200°C
Solder	120°C	120°C	approx. 240°C
Gas torch or equivalent	min. 1460 W hot air gun	min. 1460 W hot air gun	min. 1460 W hot air gun

## ORDERING DETAILS

Part description	S-19	S-21	S-69
PN (Weight)	669854-000 (0.05) kg	358745-000 (0.05) kg	933309-000 (0.11) kg

### North America

Tel +1.800.545.6258  
Fax +1.800.527.5703  
thermal.info@nVent.com

### Europe, Middle East, Africa

Tel +32.16.213.502  
Fax +32.16.213.604  
thermal.info@nVent.com

### Asia Pacific

Tel +86.21.2412.1688  
Fax +86.21.5426.3167  
cn.thermal.info@nVent.com

### Latin America

Tel +1.713.868.4800  
Fax +1.713.868.2333  
thermal.info@nVent.com



nVent.com

Our powerful portfolio of brands:

CADDY ERICO HOFFMAN RAYCHEM SCHROFF TRACER