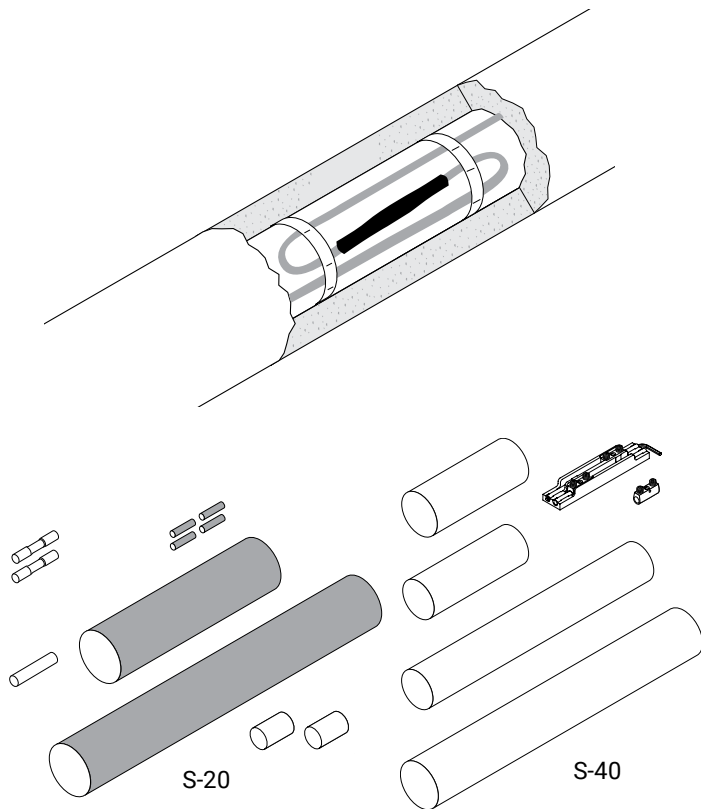


# S-20 AND S-40



**RAYCHEM**

## HEAT-SHRINK UNDER INSULATION IN-LINE SPLICE KIT



These splice kits are designed for the in-line joining of nVent RAYCHEM selfregulating heating cables.

The kit nVent RAYCHEM S-20 is designed for use with BTV and QTVR heating cables and the S-40 is for use with XTV, KTV and VPL heating cables.

All kits are approved for use in hazardous areas.

The splice kits employ easy to use heat-shrinkable tubing with an adhesive, that when heated forms a semi-flexible moisture proof encapsulation. It is supplied with a caddy in order to optimize the practicality during the installation.

Electrical continuity is maintained via crimps for the conductors and for the braid of the heating cable.

Due to its low profile design the finished splice can be installed under the insulation, directly on the pipe.

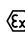

### APPLICATION

	S-20	S-40
	In-line splice kit for BTV and QTVR heating cables	In-line splice kit for XTV, KTV and VPL heating cables

### KIT CONTENTS

	High temperature insulation and heat shrinkable sleeves	High temperature insulation and heat shrinkable sleeves, with installation aid, screw terminals and an allen wrench
--	---	---

### APPROVALS

 II 2 G Ex 60079-30-1 eb IIC T\* Gb  
 II 2 D Ex 60079-30-1 tb IIIC T\*\*°C Db  
 Tmin -60°C (\* \*\* see schedule)

	S-20	S-40
Max. exposure temperature	110 °C	260 °C
Maximum current rating	32 A	40 A
Dielectric strength	1.3 – 3.5 MV/m	> 6 MV/m
Volume resistivity	10 <sup>12</sup> Ω cm	10 <sup>10</sup> Ω cm
Final dimensions	length approx. 180 mm Diameter approx. 20 mm	length approx. 300 mm diameter approx. 20 mm

## INSTALLATION TOOLS

Gas torch or equivalent	min. 1460 W hot air gun	min. 3000 W hot air gun
-------------------------	-------------------------	-------------------------

## ORDERING DETAILS

Part description	S-20	S-40
PN (Weight)	1244-022490 (0.05) kg	1244-022492 (0.11) kg

### North America

Tel +1.800.545.6258  
Fax +1.800.527.5703  
thermal.info@nVent.com

### Europe, Middle East, Africa

Tel +32.16.213.502  
Fax +32.16.213.604  
thermal.info@nVent.com

### Asia Pacific

Tel +86.21.2412.1688  
Fax +86.21.5426.3167  
cn.thermal.info@nVent.com

### Latin America

Tel +1.713.868.4800  
Fax +1.713.868.2333  
thermal.info@nVent.com



Our powerful portfolio of brands:

[nVent.com/RAYCHEM](http://nVent.com/RAYCHEM)

**CADDY ERICO HOFFMAN RAYCHEM SCHROFF TRACER**