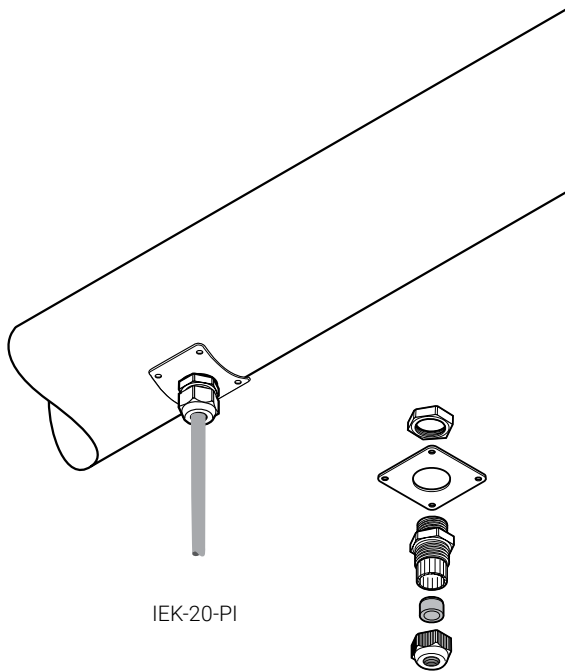


## INSULATION ENTRY KIT



Insulation entry kits are designed to protect cables when passing through the thermal insulation cladding. The nVent RAYCHEM IEK-20-PI is suited for PI heating cables as well as for power cables.

Insulation entry kits may be used in hazardous and non hazardous areas.

The gland and the grommet included in the kit provide strain relief and environmental sealing to avoid water ingress in the insulation. They contain a stainless steel plate which can be screwed to the cladding. Insulation entry kits can be used for installations on pipes, tanks and vessels etc.

### APPLICATION

#### IEK-20-PI

Two-pack insulation entry kit for pipes, tanks and vessels. Usable for all types of PI cold leads as well as all other round cables with an outer diameter in the range of 5 to 13 mm. Kit contains 2 pc.

### KIT CONTENTS

- 2 x stainless steel fixing plates
- 2 x plastic glands (M20) with round hole grommet for power- or cold lead cables
- 2 x locknuts

### PRODUCT SPECIFICATIONS

Max. exposure temp. gland 80°C

### DIMENSIONS

Plate 60 x 60 mm (22 SWG)

### ORDERING INFORMATION

Part number (Weight) 1244-000689 (0.08 kg)

### APPROVALS



(Russia, Kazakhstan, Belarus)  
For other countries contact your local nVent representative.

**North America**

Tel +1.800.545.6258  
Fax +1.800.527.5703  
thermal.info@nVent.com

**Europe, Middle East, Africa**

Tel +32.16.213.502  
Fax +32.16.213.604  
thermal.info@nVent.com

**Asia Pacific**

Tel +86.21.2412.1688  
Fax +86.21.5426.3167  
cn.thermal.info@nVent.com

**Latin America**

Tel +1.713.868.4800  
Fax +1.713.868.2333  
thermal.info@nVent.com



[nVent.com](http://nVent.com)

Our powerful portfolio of brands:

**CADDY ERICO HOFFMAN RAYCHEM SCHROFF TRACER**