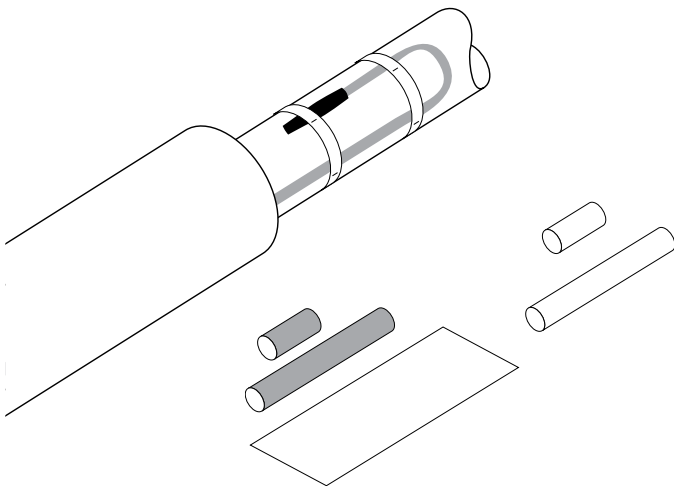


# E-20 AND E-40



**RAYCHEM**

## HEAT-SHRINK UNDER INSULATION END SEAL KITS



These end seal kits are designed for the termination of nVent RAYCHEM'S industrial heating cables.

The nVent RAYCHEM E-20 is designed for use with BTV- and QTVR heating cables and the nVent RAYCHEM E-40 is designed for use with XTV , KTV and VPL heating cables. All kits are approved for use in hazardous areas.

The end seal kit E-20 employ easy to use heat-shrinkable tubing with an adhesive, that when heated forms a semi-flexible moisture proof encapsulation. The end seal kit E-40 employs high temperature heat-shrinkable tubing with a plastic melt liner that when heated forms a semi-flexible moisture proof encapsulation. Due to the low profile design the finished termination can be installed directly on the pipe.

One end seal kit is required for each termination.


### APPLICATION


	E-20	E-40
	End seal for BTV and QTVR self-regulating heating cables	End seal for XTV , KTV self-regulating and VPL power-limiting heating cables

### KIT CONTENTS

	E-20	E-40
	Heat-shrinkable Adhesive coated sleeves Installation instruction ALU tape	Heat-shrinkable sleeves Installation instruction

### APPROVALS

 II 2 G Ex 60079-30-1 eb IIC T6 Gb

 II 2 D Ex 60079-30-1 tb IIIC T80°C Db

The temperature class depends on the design and the type of heating cable the end seal is used with

### PRODUCT SPECIFICATIONS

	E-20	E-40
Max. exposure temperature	110 °C	260 °C
Dielectric strength	2.2 MV/m	> 40 MV/m
Volume resistivity	10 <sup>13</sup> Ω cm	10 <sup>18</sup> Ω cm
Final dimensions	length approx. 120 mm	length approx. 120 mm
Minimum ambient temperature	-60 °C	-60 °C

### INSTALLATION DETAILS

	E-20	E-40
Gas torch or equivalent	min. 1460 W hot air gun	min. 3000 W hot air gun*
Minimum installation temperature	-20 °C	-20 °C

### ORDERING INFORMATION

	E-20	E-40
Part description	E-20	E-40
PN (Weight)	1244-022489 (0.03 kg)	1244-022491 (0.06 kg)

\*The installation of the E-40 requires a high power heat gun and an experienced installer.

#### **North America**

Tel +1.800.545.6258  
Fax +1.800.527.5703  
thermal.info@nVent.com

#### **Europe, Middle East, Africa**

Tel +32.16.213.502  
Fax +32.16.213.604  
thermal.info@nVent.com

#### **Asia Pacific**

Tel +86.21.2412.1688  
Fax +86.21.5426.3167  
cn.thermal.info@nVent.com

#### **Latin America**

Tel +1.713.868.4800  
Fax +1.713.868.2333  
thermal.info@nVent.com



Our powerful portfolio of brands:

[nVent.com/RAYCHEM](https://www.nVent.com/RAYCHEM)

**CADDY ERICO HOFFMAN RAYCHEM SCHROFF TRACER**