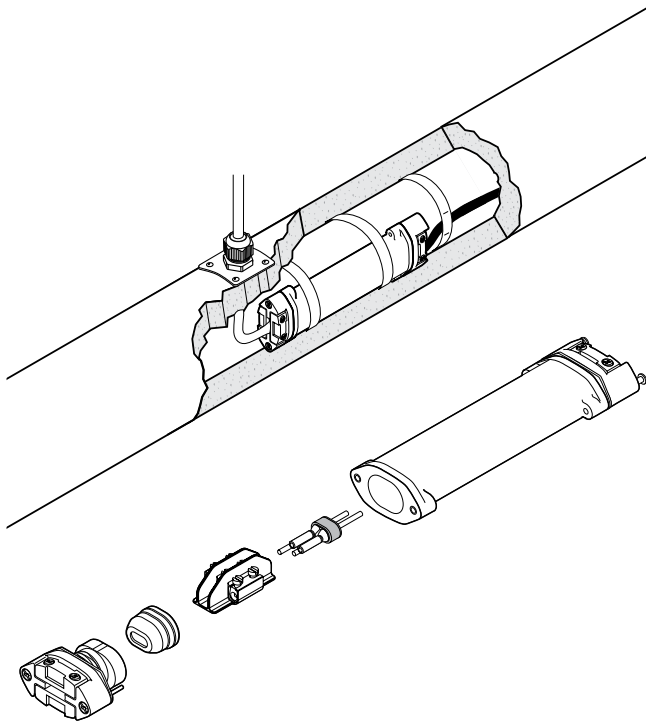


COLD APPLIED LOW PROFILE POWER CONNECTION



The nVent RAYCHEM C-150-E is a cold applied low profile power connection. The kit enables in line connection of nVent RAYCHEM industrial heating cables, BTV, QTVR, XTV and KTV, to a flexible power cable. It can be used in applications with temperature ratings from -50°C to 215°C . It is approved for use in hazardous areas.

A nVent RAYCHEM supplied power cable such as C-150-PC may be used or any suitable standard industrial power cable type $3 \times 1.5 \text{ mm}^2$ or $3 \times 2.5 \text{ mm}^2$ with stranded copper conductors and an outer insulation jacket. The power cable is connected by means of screw terminals to the conductors and the braid of the heating cable.

C-150-E is used as connector:

- where connection to a junction box is difficult e.g. because of space limitation
- on instrument lines or loading arms
- where installation of "under insulation" components is preferred
- as a cost effective solution for short heat-tracing lines as an alternative for JBS-100.

DESCRIPTION

Cold applied low profile splice for connection of BTV, QTVR, XTV and KTV heating cables to a power cable

KIT CONTENTS

- 1 splice housing assembly including
 - 1 sealing grommet assembly for heater
 - 1 pressure plate/strain relief assembly
- 1 core sealer for heater
- 1 spacer including screw terminal
- 1 sealing grommet assembly for the power cable
- 1 pressure plate/strain relief assembly for the power cable
- 1 identification label
- 1 installation instruction

APPROVALS

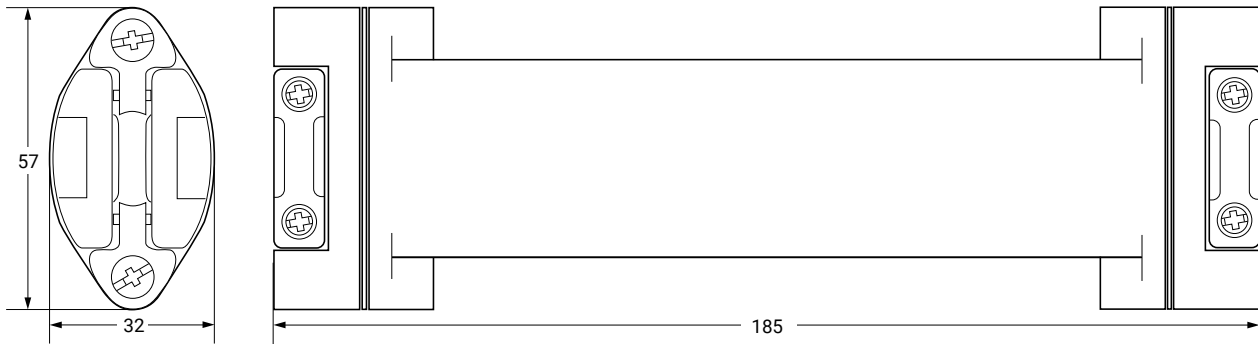
PTB 09 ATEX 1068 U
 Ⓜ II 2G Ex e II
 Ⓜ II 2D Ex tD A21 IP66
 IECEx

PTB 09.0043U
 Ex e II
 Ex tD A21 IP66
 DNV approval
 DNV Certificate No. E-11564 and E-11565



TC RU C-BE.MIO62.B.00054/18
 Ex e IIC Gb U Ex tb IIIC Db U
 Ta -55°C...+180°C IP66
 ООО "ТехИмпорт"

DIMENSIONS (IN MM)



PRODUCT SPECIFICATIONS

Heating cable capability	BTV-CR, BTV-CT, QTVR-CT, XTV-CT, KTV-CT	
Power cable capability	For use with nVent RAYCHEM's high temperature power cable C-150-PC or for use with other flexible cable such as: H07RN-F, Silicone insulated cables. Minimum and maximum installation and operating temperatures, given by cable manufacturer, have to be considered by designer and installer.	
Power cable dimension	-> outer diameter range 7.8 mm - 12.5 mm -> 3 stranded copper conductors (3 x 2.5 mm ² or 3 x 1.5 mm ²) -> temperature range depending on the application	
Maximum power cable length	Depending on power cable voltage drop and maximum current for nVent RAYCHEM power cable C-150-PC (3 x 2.5 mm ²):	
	CB 16 A	40 m
	CB 20 A	32 m
	CB 25 A	25 m
Ingress protection	IP66	
Minimum installation temperature	-50°C	
Maximum pipe temperature	refer to heating cable specification	
Maximum operating voltage	277 Vac	
Maximum current rating	depending on the power cable used and maximum current	

CONSTRUCTION MATERIALS

Housing, end plate, shim and spacer	Engineering polymers, black
Sealing grommets	Silicone rubber
Screws, compression spring	Stainless steel

ORDERING DETAILS

Part description	C-150-E
PN (Weight)	073704-000 (0.4 kg/0.8 lb)
Pack size	1 bag

ACCESSORIES

Power cable	C-150-PC 3-core flexible power cable for connection to C-150-E, 3 x 2.5 mm ² , silicone insulation, temperature range: -40°C to +180°C, short term: 215°C
-------------	---

North America

Tel +1.800.545.6258
Fax +1.800.527.5703
thermal.info@nvent.com

Europe, Middle East, Africa

Tel +32.16.213.511
Fax +32.16.213.604
thermal.info@nvent.com

Asia Pacific

Tel +86.21.2412.1688
Fax +86.21.5426.3167
cn.thermal.info@nvent.com

Latin America

Tel +1.713.868.4800
Fax +1.713.868.2333
thermal.info@nvent.com



nVent.com

Our powerful portfolio of brands:

CADDY ERICO HOFFMAN RAYCHEM SCHROFF TRACER