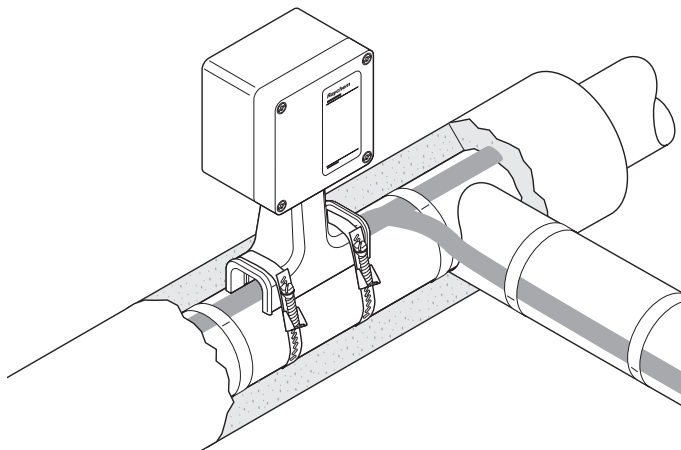


SPLICE OR TEE CONNECTION KIT



PRODUCT OVERVIEW

The nVent RAYCHEM T-100 serves as an above-insulation splice or tee for up to three nVent RAYCHEM brand BTV, QTVR, XTV, KTV, or VPL heating cables. It is approved by FM, CSA, and PTB(1) for use in hazardous locations.

The T-100 integrates the functions of connection kits and insulation entries. The rugged stand protects the heating cable and allows for up to four inches (100 mm) of thermal insulation.

The cold-applied core sealer does not require a heat gun or torch for installation, so no hot work permit is necessary. The silicone-free, noncuring sealant in the core sealer allows easy installation and re-entry for maintenance.

The electrical connections in the T-100 are made with insulated crimps. For a splice or tee connection with terminal blocks, use the nVent RAYCHEM JBM-100.

Each kit contains all the necessary materials for a complete installation except for the pipe straps, which must be ordered separately.



DESCRIPTION

Above-insulation splice / tee kit appropriate for use in hazardous locations







KIT CONTENTS

- 1 splice / tee enclosure and lid
- 1 stand assembly
- 3 core sealers
- 3 green / yellow tubes
- 3 compression crimps
- 3 crimp insulating boots
- 2 grommet plugs
- 1 spanner wrench
- 1 strain relief assembly

Note: Order appropriate pipe straps separately (two straps per kit).

APPROVALS

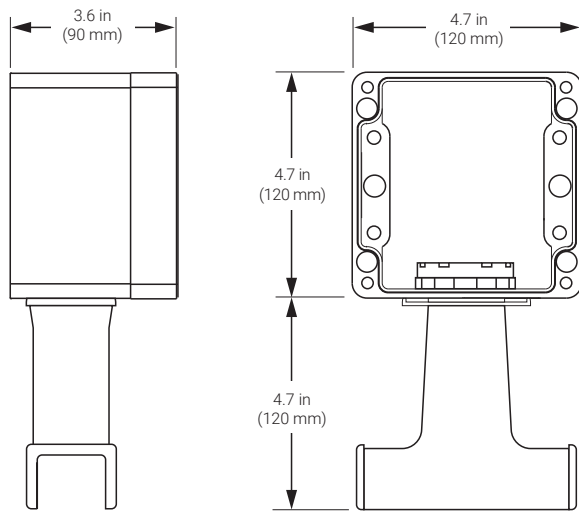
Hazardous Locations

 <p>Class I, Div. 2, Groups A, B, C, D Class II, Div. 1 and 2, Groups E, F, G Class III</p>  <p>-WS</p>  <p>Ex e IIC T* Gb</p>	 <p>CLI, ZN1, AEx e II T⁽²⁾</p>  <p>Ex e II T⁽²⁾</p>  <p>II 2G Ex e II II 2D Ex tD A21 IP66 PTB 09 ATEX 1043U</p>
--	--

(1) Except VPL
 (2) For T-rating, see heating cable or design documentation
 (3) Except KTV

IECEx PTB 09.0023U
 Ex e II
 Ex tD A21 IP66

DIMENSIONS (NOMINAL)



PRODUCT SPECIFICATIONS

Heating cable capability	BTV-CR, BTV-CT, QTVR-CT, XTV-CT, KTV-CT, and VPL-CT
Ingress protection	Type 4X / IP66 / IP67
Minimum installation temperature	-40°F (-40°C)
Minimum ambient temperature	-75°F (-60°C)
Maximum ambient temperature	132°F (56°C)
Maximum pipe temperature	500°F (260°C)
Maximum operating voltage	480 Vac
Maximum circuit breaker rating	50 A for FM, CSA; 40 A for PTB

MATERIALS

Enclosure	Electrostatic charge-resistant glass-filled engineered polymer, black
Lid screws	Stainless steel
Lid gasket	Silicone rubber

ORDERING DETAILS

Catalog number	T-100
Part number	447379-000
Weight	2.5 lb (1.2 kg)
Crimp tool	T-100-CT (not included in kit; equivalent to Panduit CT-1570) PN 954799-000
Spare crimps and insulating tubes	T-100-CRIMP-KIT PN 577853-000

North America

Tel +1.800.545.6258
Fax +1.800.527.5703
thermal.info@nvent.com

Europe, Middle East, Africa

Tel +32.16.213.511
Fax +32.16.213.603
thermal.info@nvent.com

Asia Pacific

Tel +86.21.2412.1688
Fax +86.21.5426.3167
cn.thermal.info@nvent.com

Latin America

Tel +1.713.868.4800
Fax +1.713.868.2333
thermal.info@nvent.com



nVent.com

Our powerful portfolio of brands:

CADDY ERICO HOFFMAN RAYCHEM SCHROFF TRACER