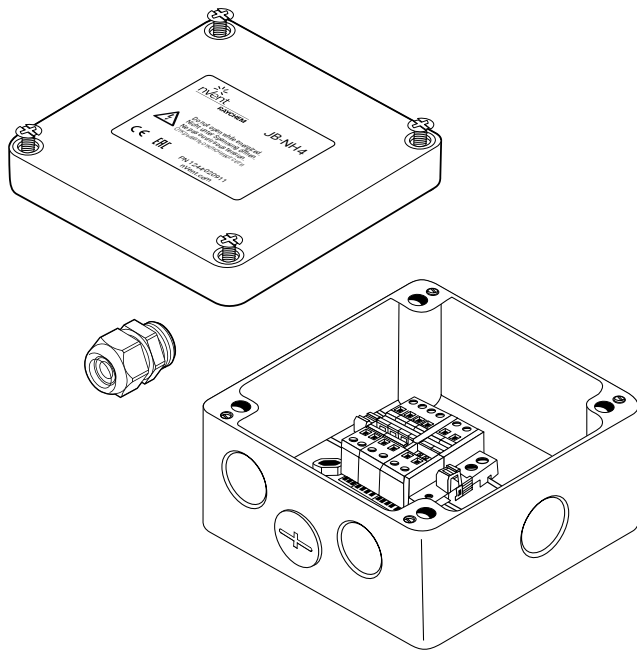


JUNCTION BOX FOR MODULAR SYSTEM



DESCRIPTION

The nVent RAYCHEM JB-NH4 is a junction box for use with various heating cable types with M25 connection kits and suitable for use in ordinary (non-hazardous) areas. It can be used to make a power connection, splice, or end seal. For use with nVent RAYCHEM industrial parallel heating cables.

Up to four heating cables or three heating cables and the appropriate size power cable can be accommodated through the four entries and connected to the DIN-rail mounted terminals. A power cable gland (M25) included.

The box can be wall mounted via the four holes moulded in the back of the box. For pipe mounting, it is recommended that this box is used with a nVent RAYCHEM support bracket.

ENCLOSURE

Area of use	Ordinary (non-hazardous)
Protection	IP66
Entries	4 x M25
Exposure temperature	-40°C to +90°C
Base	Grey glass filled polymer
Lid	Grey glass filled polymer

TERMINALS

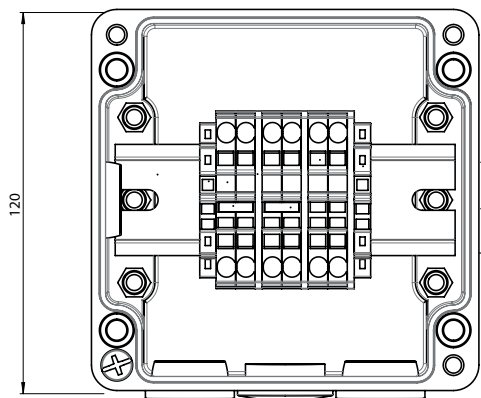
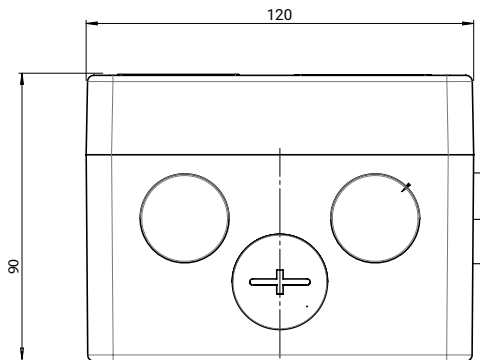
ST-4	Din rail mounted, spring-type terminals
Voltage rating	Max. 800 Vac
Max. conductor size	Stranded: 4 mm ² Solid: 6 mm ²
Current rating	Nominal 32 A - Maximum 40 A with 6 mm ² conductor cross section
Quantity	4 phase terminals, bridged per 2 and 2 PE terminals

APPROVALS



Products are in compliance with IEC/EN 62395-1:2013
DNV approval pending

DIMENSIONS (IN MM)



ACCESSORIES (TO BE ORDERED SEPARATELY)

Junction box support bracket SB-100, SB-101, SB-110, SB-111

ORDERING DETAILS

Part description	JB-NH4
PN (Weight)	1244-020911 (0.47 kg)

North America

Tel +1.800.545.6258
Fax +1.800.527.5703
thermal.info@nvent.com

Europe, Middle East, Africa

Tel +32.16.213.511
Fax +32.16.213.604
thermal.info@nvent.com

Asia Pacific

Tel +86.21.2412.1688
Fax +86.21.5426.3167
cn.thermal.info@nvent.com

Latin America

Tel +1.713.868.4800
Fax +1.713.868.2333
thermal.info@nvent.com



nVent.com

Our powerful portfolio of brands:

CADDY ERICO HOFFMAN RAYCHEM SCHROFF TRACER