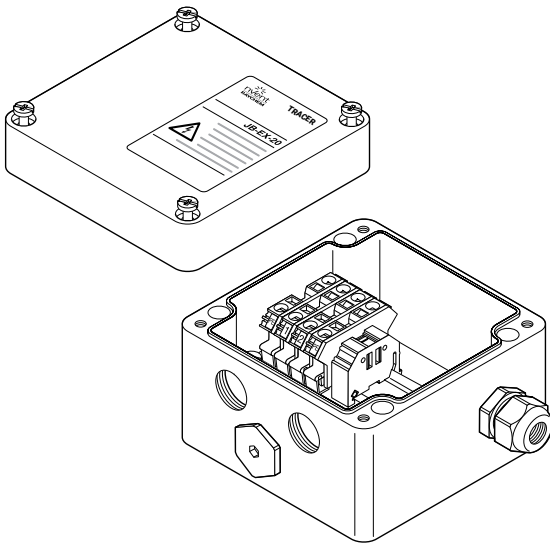


# JB-EX-20 and JB-EX-20-EP

## MULTI PURPOSE JUNCTION BOX



Industrial junction box for use in hazardous areas with nVent RAYCHEM FMT, FHT, PI and MI heating cables. This box can be used to make connections between power cables, heating cables and cold lead cables. Depending on the configuration of the system, the box can accommodate heating cables, cold leads and a power cable. nVent RAYCHEM M20 connection kits have to be ordered separately depending on the type of heating cable being used.

Cable connection is via DIN rail mounted Spring-type terminals to provide fast installation and safe, reliable, maintenance-free operation.

The box can be either wall or pipe mounted via the four holes moulded in the base of the box. For pipe mounting, use one of the standard support brackets.

### TYPICAL USE

#### JB-EX-20

#### JB-EX-20-EP

Power supply box for series heating cables (PI & MI) and constant wattage parallel heating cables (FMT & FHT) or end box (star) for series heating cables (PI & MI), when using M20 connection kits

### ENTRIES

3 x M20  
1 x M25

3 x M20  
1 x M25

### KIT CONTENTS

Junction box with spring-type terminals on DIN rail


Junction box with spring-type terminals on DIN rail, earthing plate and an external earth stud

1 x M20 stopping plug  
2 x M20 rain plugs (temporary)  
1 x M25 Hazardous area approved cable gland for power cables with  $\varnothing$  of 8-15mm  
1 x terminal jumper allowing various wiring configurations (remove terminal plate)

1 x M20 stopping plug  
2 x M20 rain plugs (temporary)  
1 x M25 rain plug (temporary)

### APPROVALS

PTB 00 ATEX 1002

 II 2G Ex edm ia [ia] IIC T6, T5 and T4  
 II 2D Ex tD A21 IP66 T85°C, T100°C and T135°C

IECEx PTB 08.0004

Ex e ia II, IIC T6, T5, T4  
Ex tD A21 IP66 T 85°C, T 100°C, T 135°C

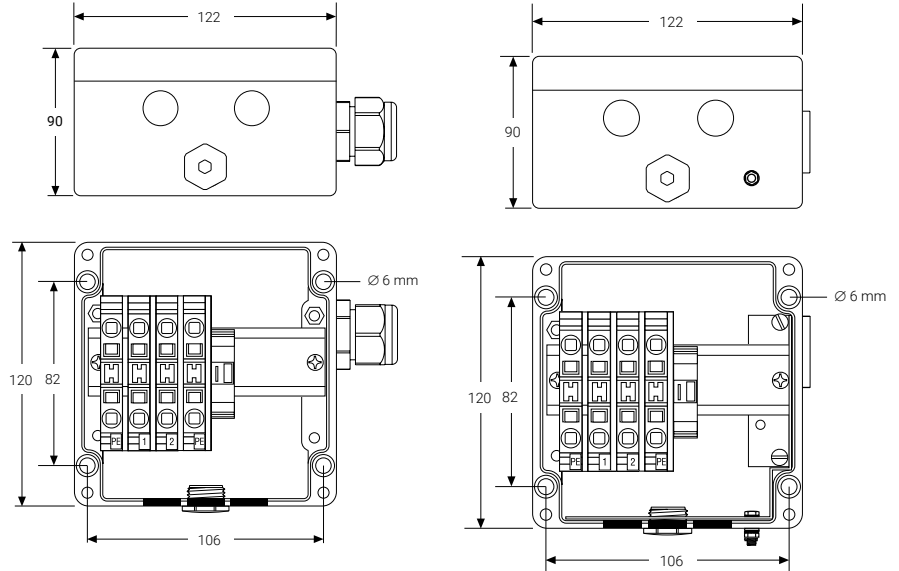


TC RU C-BE.ИМ43.В.01854  
ООО «ТехИмпорт»  
Ambient temp range: -55°C...+55°C  
1Ex d e mb ia (ia) IIC T6...T4 Gb  
Ex tb IIIC T85°C...T135°C Db Ta -55°C...+55°C IP66  
Made in India

**MATERIALS OF CONSTRUCTION**

Box & lid	Electrostatic charge-resistant glass-filled engineered polymer, black	Electrostatic charge-resistant glass-filled engineered polymer, black
Sealing gasket	Silicone rubber	Silicone rubber
Lid fixing screws	Stainless steel (captive)	Stainless steel (captive)
Earthing plate	N.A.	Steel, zinc plated and blue chromated

**JB-EX-20** **JB-EX-20-EP**



**INGRESS PROTECTION**

IP66	IP66
------	------

**AMBIENT TEMPERATURE RANGE**

-55°C to +55°C	-55°C to +55°C
----------------	----------------

**TERMINALS**

Quantity	4 pcs, spring-type	4 pcs, spring-type
Labeling	1, 2 + 2 x PE	1, 2 + 2 x PE
Maximum conductor size	10 mm <sup>2</sup> (solid & stranded)	10 mm <sup>2</sup> (solid & stranded)
Maximum operating voltage	590 Vac	590 Vac
Maximum operating current	53 A	53 A

## ACCESSORIES (TO BE ORDERED SEPARATELY)

Support bracket	SB-100, SB-101, SB-110, SB-111	SB-100, SB-101, SB-110, SB-111
Power cable gland	GL-55-M25 (included) up to -55°C, 8-15mm	GL-38-M25-METAL (optional) up to -60°C, inner diam. 10-13.5mm, outer diam. 13.5-21 mm
Loose terminals (*)	Phase/neutral terminal: Earth terminal: End plate: Terminal jumper:	HWA-WAGO-PHASE HWA-WAGO-EARTH HWA-WAGO-ENDPLATE HWA-WAGO-JUMPER
Connection kit for FMT and FHT heating cables	C20-01-F hot applied connection kit with plastic gland	C20-02-F cold applied connection kit with metal gland
Insulation entry kit for FMT and FHT heating cables	IEK-25-04 or IEK-25-PIPE	IEK-25-04 or IEK-25-PIPE
Gland for PI cold leads	C20-PI-PA-KIT Hazardous area approved gland, PA, up to -40°C	C20-PI-M0-KIT Hazardous area approved gland, Ni plated brass, up to -55°C (to be used with boxes with integral earth plate or with earth lug)
Insulation entry kit for PI cold leads	IEK-20-PI	IEK-20-PI
Gland for MI cold leads	Contact nVent or refer to DOC-606	Contact nVent or refer to DOC-606
Stopping plug	HWA-PLUG-M20-EXE-PLASTIC	HWA-PLUG-M20-EXE-PLASTIC

## ORDERING DETAILS

Order reference	JB-EX-20	JB-EX-20-EP
Part number (Weight)	1244-000590 (0.9 kg)	1244-006384 (1 kg)

(\*) in total no more than 6 terminals of this type should be installed.

### North America

Tel +1.800.545.6258  
Fax +1.800.527.5703  
thermal.info@nvent.com

### Europe, Middle East, Africa

Tel +32.16.213.511  
Fax +32.16.213.604  
thermal.info@nvent.com

### Asia Pacific

Tel +86.21.2412.1688  
Fax +86.21.5426.3167  
cn.thermal.info@nvent.com

### Latin America

Tel +1.713.868.4800  
Fax +1.713.868.2333  
thermal.info@nvent.com



nVent.com

Our powerful portfolio of brands:

CADDY ERICO HOFFMAN RAYCHEM SCHROFF TRACER