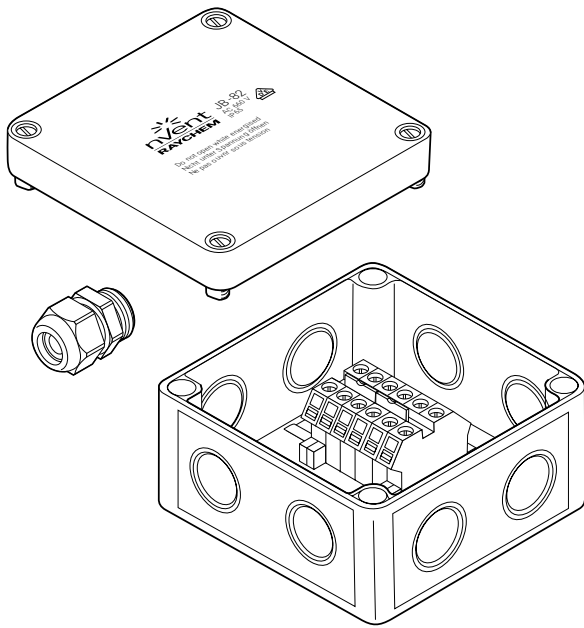


JUNCTION BOX



The nVent RAYCHEM JB-82 is a standard, non-hazardous polycarbonate junction box.

It may be used to make a power connection, splice, powered splice, powered tee or simple tee, for use with nVent RAYCHEM industrial parallel heating cables.

Up to four heating cables or three heating cables and the appropriate size power cable can be accommodated through the four entries and connected to the rail mounted terminals.

For pipe mounting, it is recommended that this box is used with a nVent RAYCHEM support bracket.

ENCLOSURE

JB-82	
Area of use	Ordinary (indoors and outdoors)
Protection	IP66
Entries	4 M20/25
Exposure temperature	-35°C to +115°C
Base	Grey glass filled polycarbonate
Lid	Grey polycarbonate
Lid gasket	Foamed polyurethane

PHASE TERMINALS

Conta-Clip RK6-10	Din rail mounted
Voltage rating	750 Vac
Max. conductor size	0.5-10 mm ² (solid and stranded)
Current rating	61 A
Quantity	Two cross-connected groups of two

EARTH TERMINALS

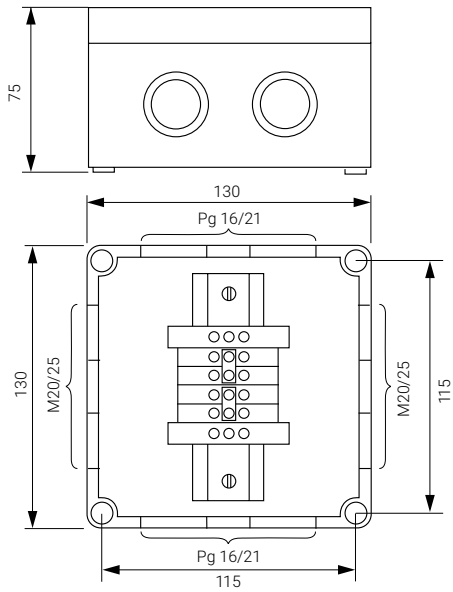
2 Conta-Clip SL10/35

APPROVALS



(Russia, Kazakhstan, Belarus)
For other countries contact your local nVent representative.

DIMENSIONS (IN MM)



MOUNTING

JB-82

Through holes moulded in the base of the junction box

Centres	115 x 115 mm
Size	5 mm diameter
Cable gland	Polyamide with locknut for cable diameters from 9 to 16 mm

ACCESSORIES

Junction box support bracket SB-100, SB-101, SB-110, SB-111

ORDERING DETAIL

Part description	JB-82
PN (Weight)	535679-000 (0.47 kg)

North America

Tel +1.800.545.6258
 Fax +1.800.527.5703
 thermal.info@nvent.com

Europe, Middle East, Africa

Tel +32.16.213.511
 Fax +32.16.213.604
 thermal.info@nvent.com

Asia Pacific

Tel +86.21.2412.1688
 Fax +86.21.5426.3167
 cn.thermal.info@nvent.com

Latin America

Tel +1.713.868.4800
 Fax +1.713.868.2333
 thermal.info@nvent.com



nVent.com

Our powerful portfolio of brands:

CADDY ERICO HOFFMAN RAYCHEM SCHROFF TRACER